

iFilters™

General technical specifications

General Specifications

CONNECTION TYPE	Male threaded (BSP/NPT) Female threaded (Swivel BSP)
FILTERING CARTRIDGE	Stainless steel screen
	Disks
	Polyester Screen
DISCHARGE	Male Threaded 3/4" BSP (mod. YCV-YDV-YEV-YFV) Female Threaded 3/4" BSP (mod. YGG-YGF-YHG-YHF)
PRESSURE GAUGE CONNECTIONS	Male Threaded 1/4" BSP (mod. YDV-YEV-YFV) Female Threaded 1/4" BSP (mod. YGG-YGF-YHG-YHF)

Construction materials

BODY	Polypropylene
COVER	Polypropylene
FILTERING ELEMENT	Stainless steel screen: Polypropylene + stainless steel screen Poly screen: Polypropylene + Polyester screen Disks: Polypropylene disks and structure
TIGHTENING RING NUT (mod. YGG - YHG)	Reinforced polyamide
CLOSING CLAMP (mod. YGF - YHF)	Stainless Steel AISI 304
GASKETS	NBR



Conditions of use

PH RANGE	4<pH<11
MAX TEMPERATURE	60 °C / 140 °F
MAX PRESSURE	8 bar (YFV - YG* - YH*)
	10 bar (YCV - YDV - YEV)

Selecting the correct model

DIAMETER	3/4" - 1"		1" 1/4	1 1/2"	2"	3"
MODEL	 YCV	 YDV	 YEV	 YFV	 YGG - YGF	 YHG - YHF

General Specifications	FILTRATION DEGREE	20 - 30 - 50 - 75 - 100 - 120 - 155 - 200 mesh				75 - 120 - 155 mesh	
		800 - 500 - 300 - 200 - 160 - 130 - 100 - 80 micron				200 - 130 - 100 micron	
	CLOSING MECHANISM	Polypropylene cover				Nylon ring nut - Stainless Steel Clamp	
	MAXIMUM FLOW RATE	5 m³/h		10 m³/h	20 m³/h	25 m³/h	
	FILTERING SURFACE	100 cm²	170 cm² (screen: 160)	260 cm² (screen: 220)	500 cm² (screen: 450)	960 cm² (830-990 screen)	1470 cm² (1290-1515 screen)
FILTERING CAPACITY	LOW	MEDIUM	MEDIUM	MEDIUM	GOOD	VERY HIGH MEDIUM	

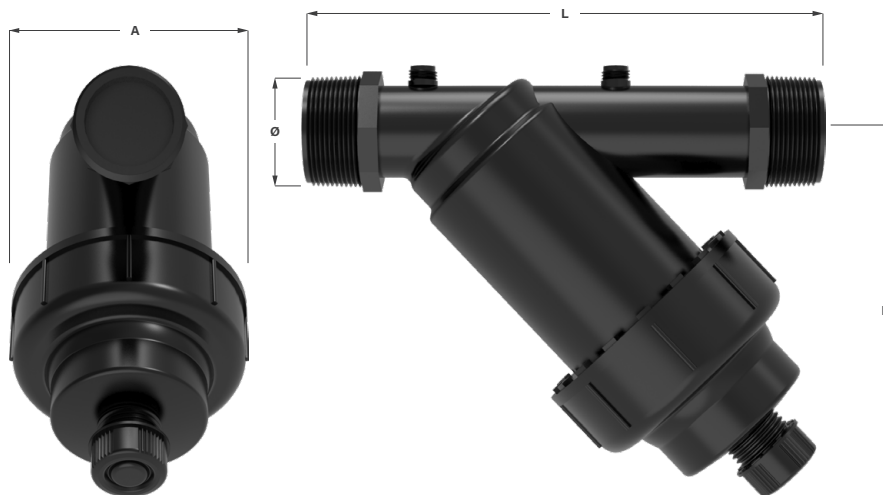
Applications		Accessory filtration (tanks, machinery, etc.)	Secondary filtration (security and/or sector filters)
		Secondary filtration (Valve Boxes) Primary Filtration (Good quality well water)	Primary Filtration - well water / high quality

YEV

iFilters

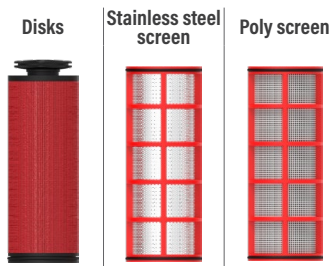
Description

Mini version in-line filter, available in 1-1/4" and 1-1/2" sizes. Disk, stainless steel screen or polyester screen filtering elements. Small footprint filter, ideal for filtration applications on small and medium-sized irrigation systems (valve boxes, pumping unit).



Diameter	Filtering Element	Code	PN	Maximum flow rate (m³/h)	Filtering Surface (cm²)	L (mm)	A (mm)	H (mm)	Weight (kg)
1 1/4"	Stainless steel screen	IFYEVEIxyyCON	10	10	220	220	103	152	0.36
	Polyester Screen	IFYEVEPxyyCON			260				
	Disks	IFYEVEDxyyCON			260				
1 1/2"	Stainless steel screen	IFYEVFIxwwCON			220 (M) 225 (W)	220			0.37
	Polyester Screen	IFYEVFPxwwCON				260			
	Disks	IFYEVFDxwwCON				260			

Filtering Cartridge



Connections

yy: connections (replace with:)

Ref.	Fittings
M2	Threaded BSP (M/M)
M5	Threaded NPT (M/M)

Connections

ww: connections (replace with:)

Ref.	Fittings
M2	Threaded BSP (M/M)
M5	Threaded NPT (M/M)
W2	Threaded BSP Swivel (F/F)

Filtration degree (mesh)

x: mesh (replace with:)

Ref.	Mesh	Micron	Stainless Steel	Poly	Disks	Colour
E	20	800	✓	✓		
F	30	500	✓	✓		
G	50	300	✓	✓		
H	75	200	✓	✓		
I	100	160	✓	✓		
L	120	130	✓	✓	✓	
N	155	100	✓	✓		
P	200	80	✓	✓		

