

iFilters™

General technical specifications

General Specifications

CONNECTION TYPE	Male threaded (BSP/NPT) Female threaded (Swivel BSP)
FILTERING CARTRIDGE	Stainless steel screen
	Disks
	Polyester Screen
DISCHARGE	Male Threaded 3/4" BSP (mod. YCV-YDV-YEV-YFV) Female Threaded 3/4" BSP (mod. YGG-YGF-YHG-YHF)
PRESSURE GAUGE CONNECTIONS	Male Threaded 1/4" BSP (mod. YDV-YEV-YFV) Female Threaded 1/4" BSP (mod. YGG-YGF-YHG-YHF)

Construction materials

BODY	Polypropylene
COVER	Polypropylene
FILTERING ELEMENT	Stainless steel screen: Polypropylene + stainless steel screen Poly screen: Polypropylene + Polyester screen Disks: Polypropylene disks and structure
TIGHTENING RING NUT (mod. YGG - YHG)	Reinforced polyamide
CLOSING CLAMP (mod. YGF - YHF)	Stainless Steel AISI 304
GASKETS	NBR



Conditions of use

PH RANGE	4<pH<11
MAX TEMPERATURE	60 °C / 140 °F
MAX PRESSURE	8 bar (YFV - YG* - YH*)
	10 bar (YCV - YDV - YEV)

Selecting the correct model

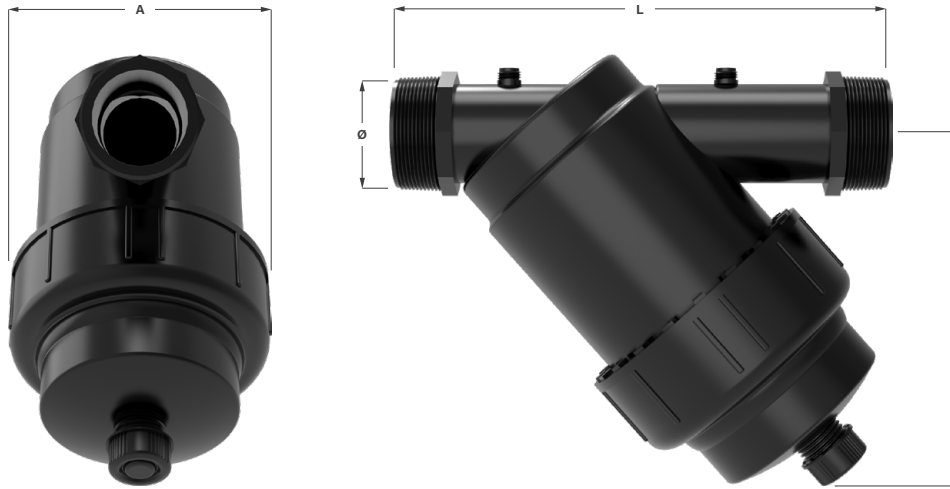
DIAMETER	3/4" - 1"		1" 1/4	1 1/2"	2"	3"
MODEL	 YCV	 YDV	 YEV	 YFV	 YGG - YGF	 YHG - YHF

General Specifications	FILTRATION DEGREE	20 - 30 - 50 - 75 - 100 - 120 - 155 - 200 mesh				75 - 120 - 155 mesh	
		800 - 500 - 300 - 200 - 160 - 130 - 100 - 80 micron				200 - 130 - 100 micron	
	CLOSING MECHANISM	Polypropylene cover				Nylon ring nut - Stainless Steel Clamp	
	MAXIMUM FLOW RATE	5 m³/h		10 m³/h	20 m³/h	25 m³/h	
	FILTERING SURFACE	100 cm²	170 cm² (screen: 160)	260 cm² (screen: 220)	500 cm² (screen: 450)	960 cm² (830-990 screen)	1470 cm² (1290-1515 screen)
FILTERING CAPACITY	LOW	MEDIUM	MEDIUM	MEDIUM	GOOD	VERY HIGH MEDIUM	

Applications		Accessory filtration (tanks, machinery, etc.)	Secondary filtration (security and/or sector filters)
		Secondary filtration (Valve Boxes) Primary Filtration (Good quality well water)	Primary Filtration - well water / high quality

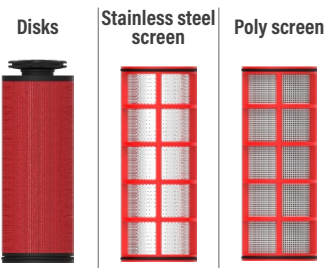
Description

Mini version in-line filter, available in 1-1/2" and 2" sizes. Disk, stainless steel screen or polyester screen filtering elements. Small size filter, ideal for secondary filtration applications on small and medium agricultural and residential irrigation systems.



Diameter	Filtering Element	Code	PN	Maximum flow rate (m³/h)	Filtering Surface (cm²)	L (mm)	A (mm)	H (mm)	Weight (kg)
1 1/2"	Stainless steel screen	IFYFVFIxyyCON	8	20	450	258	140	188	0.7
	Polyester Screen	IFYFVFPxyyCON							
	Disks	IFYFVFDxyyCON							
2"	Stainless steel screen	IFYFVGIxyyCON			450				0.8
	Polyester Screen	IFYFVGPxyyCON							
	Disks	IFYFVGDXyyCON							

Filtering Cartridge



Connections

yy: connections (replace with:)

Ref.	Fittings
M2	Threaded BSP (M/M)
M5	Threaded NPT (M/M)

Filtration degree (mesh)

x: mesh (replace with:)

Ref.	Mesh	Micron	Stainless Steel	Poly	Disks	Colour
E	20	800	✓	✓		
F	30	500	✓	✓		
G	50	300	✓	✓		
H	75	200	✓	✓		
I	100	160	✓	✓		
L	120	130	✓	✓	✓	
N	155	100	✓	✓		
P	200	80	✓	✓		

